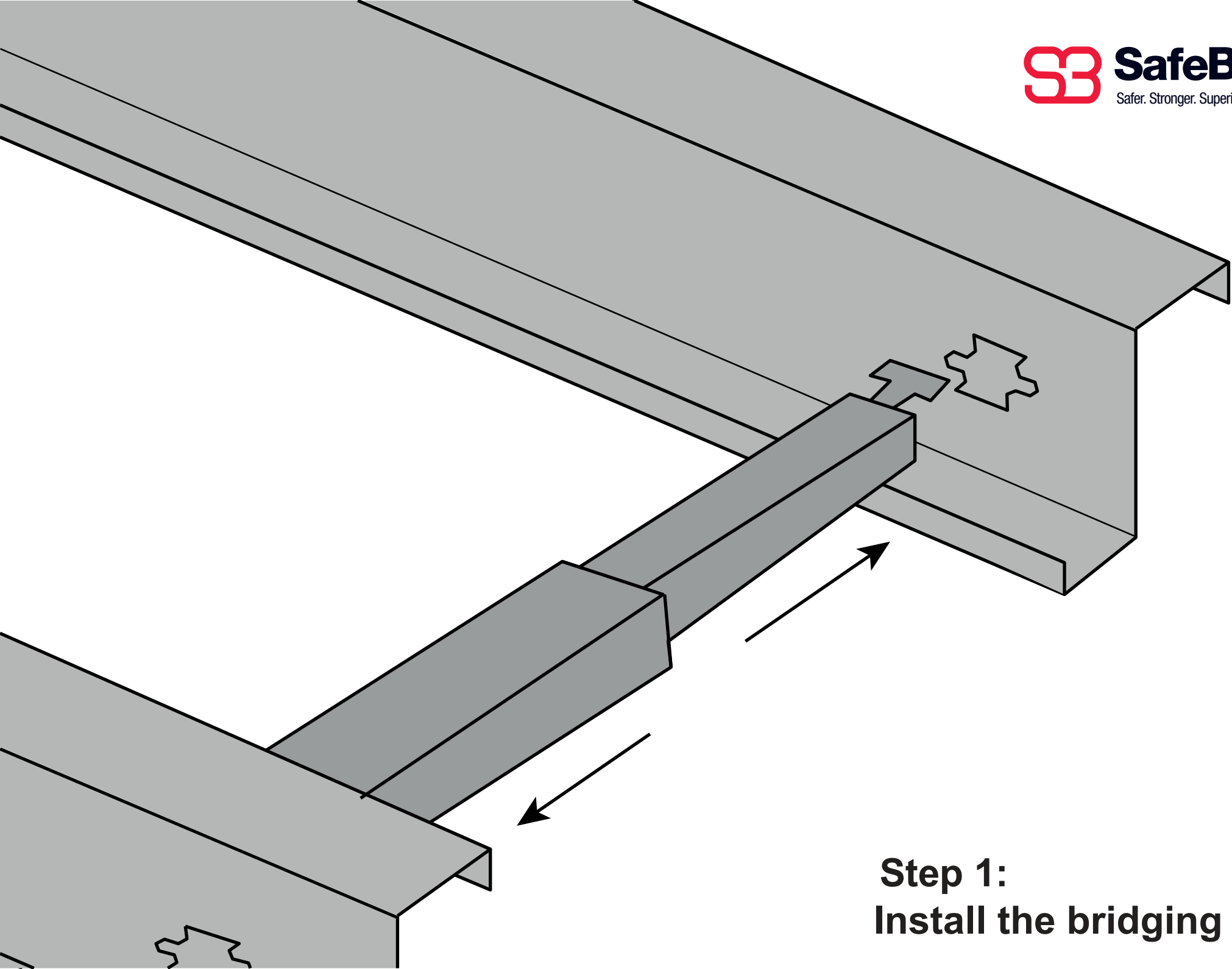


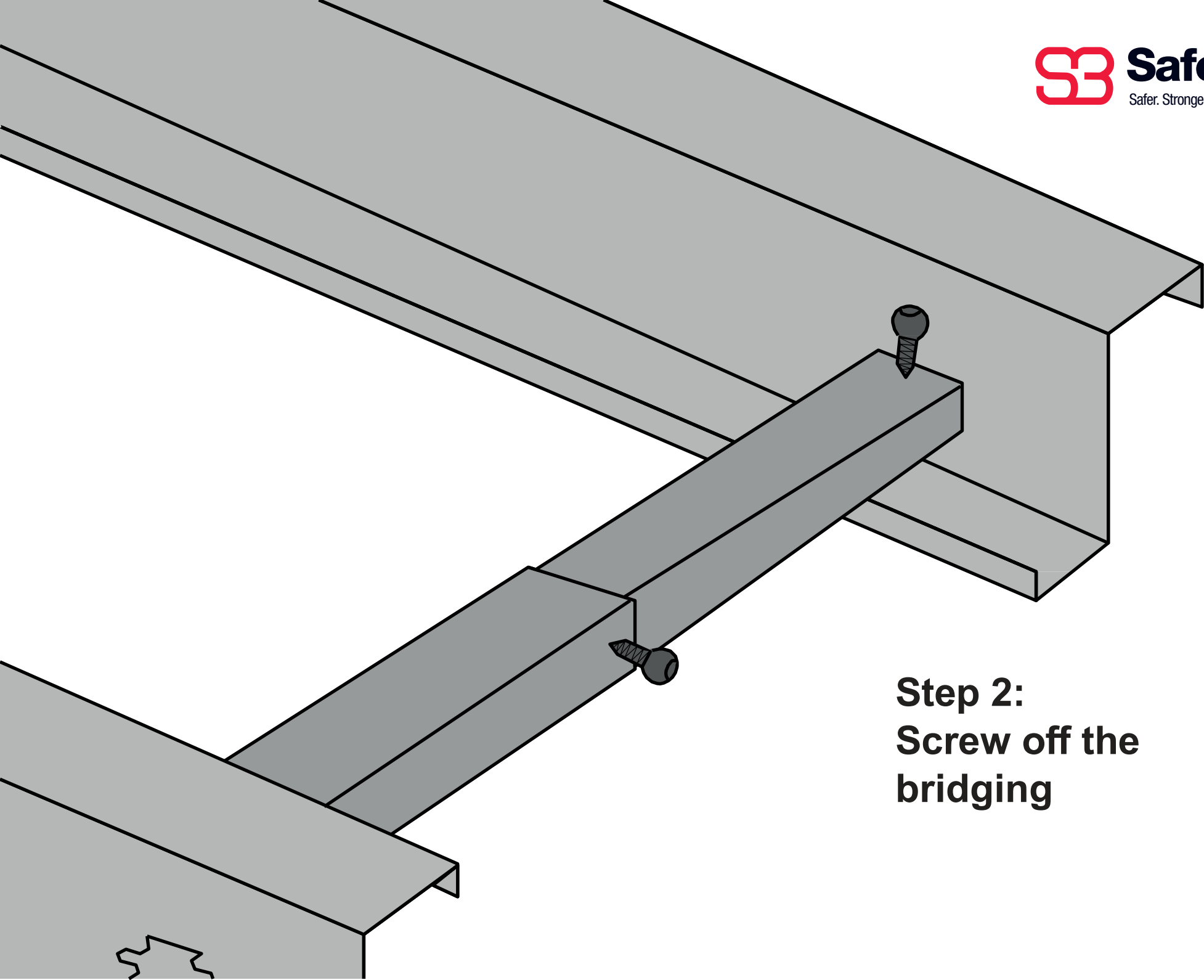
SafeBridge is a system based on Metroll Purlins
For correct pricing please contact

projects@safebridge.com.au

Purlin may have double keyway for Purlin rotation during installation, confirm keyway before starting

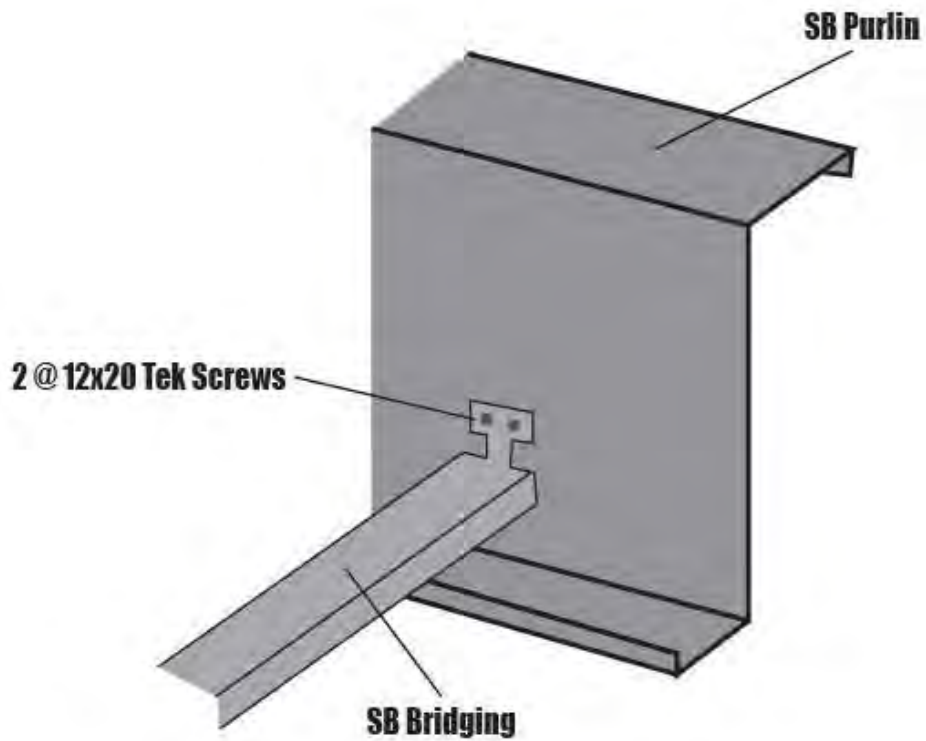


Step 1:
Install the bridging

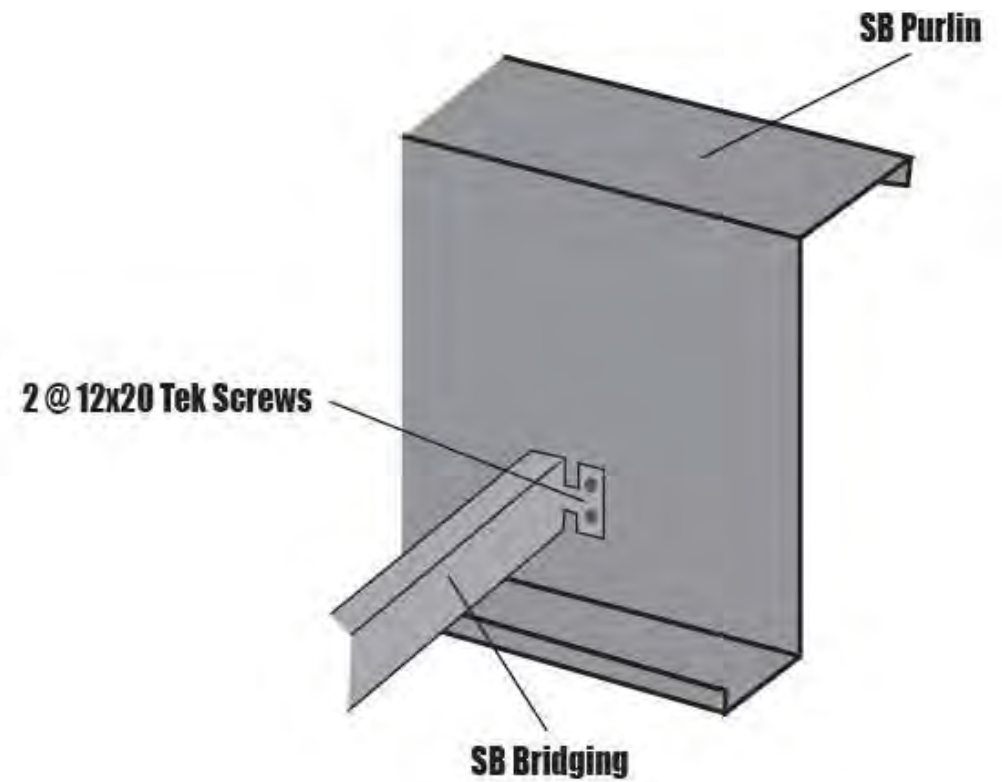


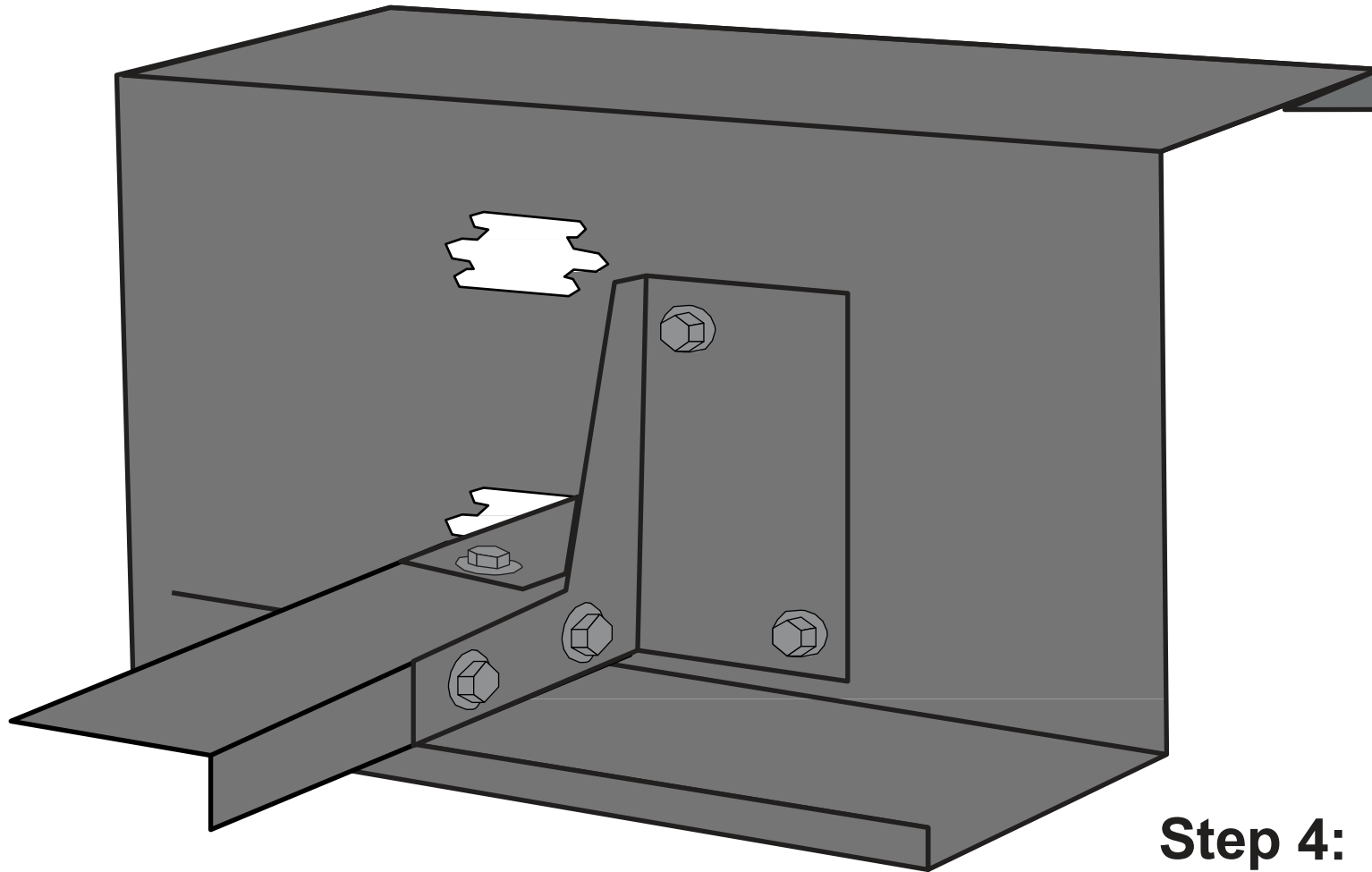
**Step 2:
Screw off the
bridging**

**Direct Purlin
Fixing Option
(A)**

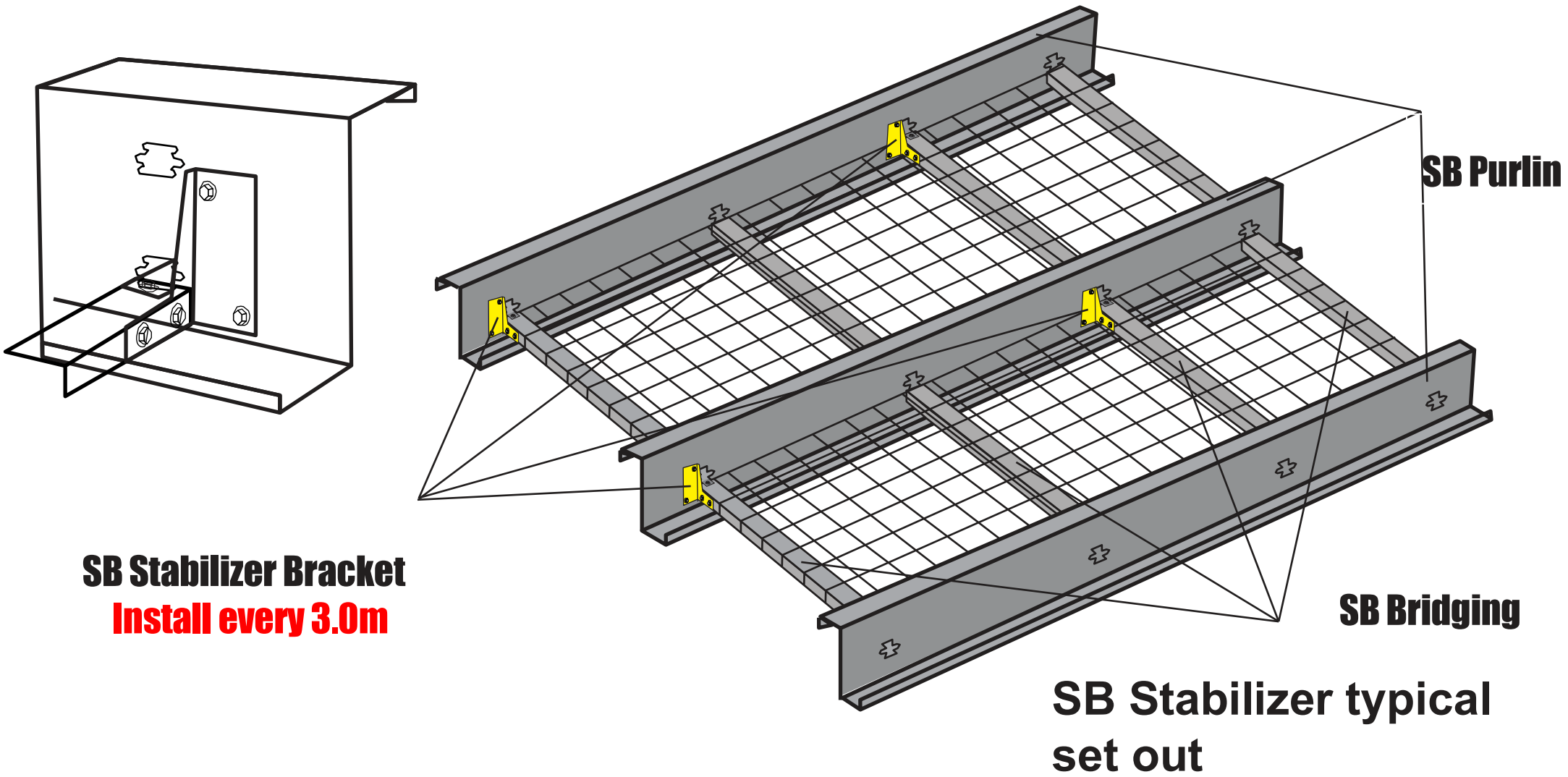


**Direct Purlin
Fixing Option
(B)**





Step 4:
Install Stabilizer
Bracket every 3.0m

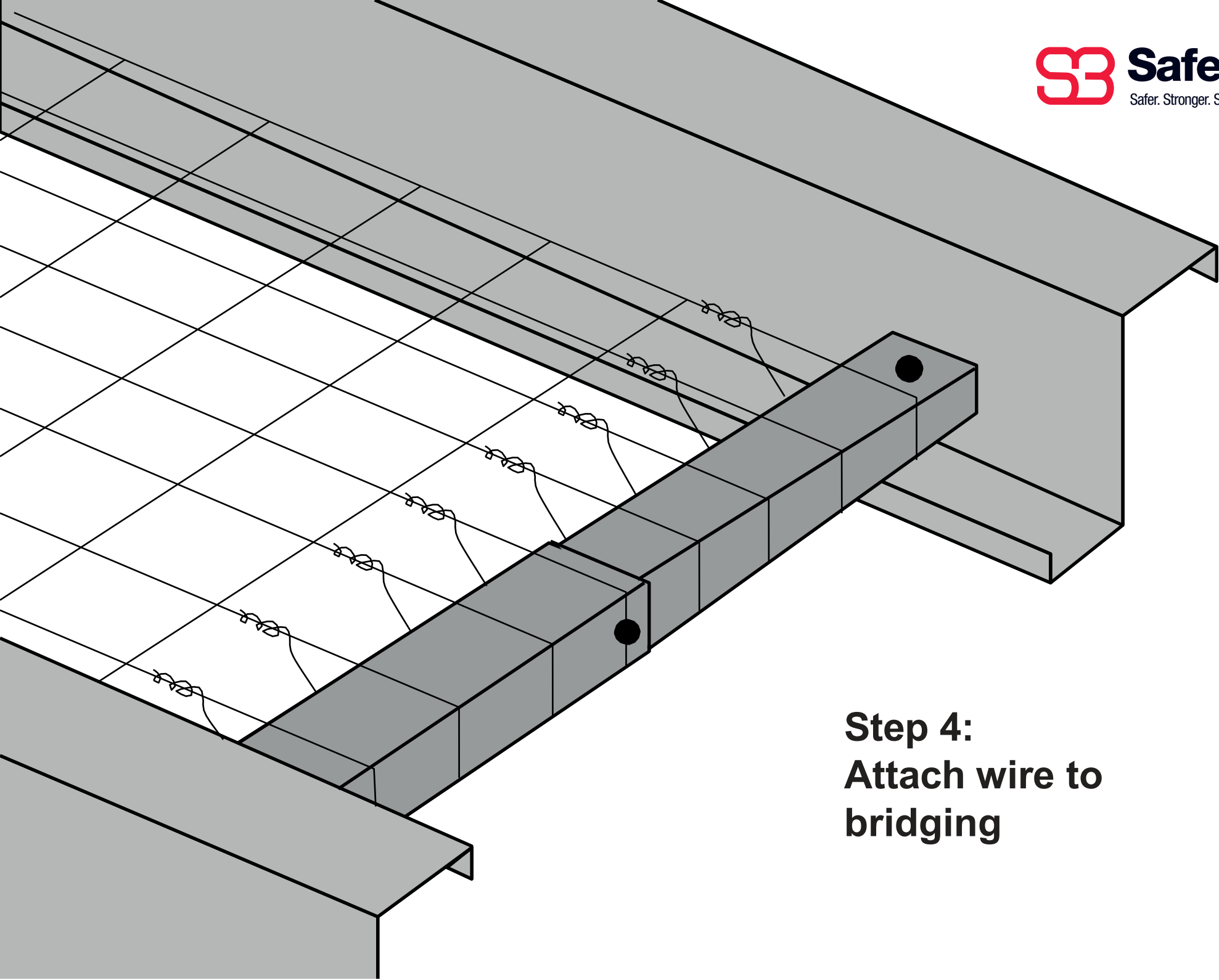


SB Stabilizer Bracket
Install every 3.0m

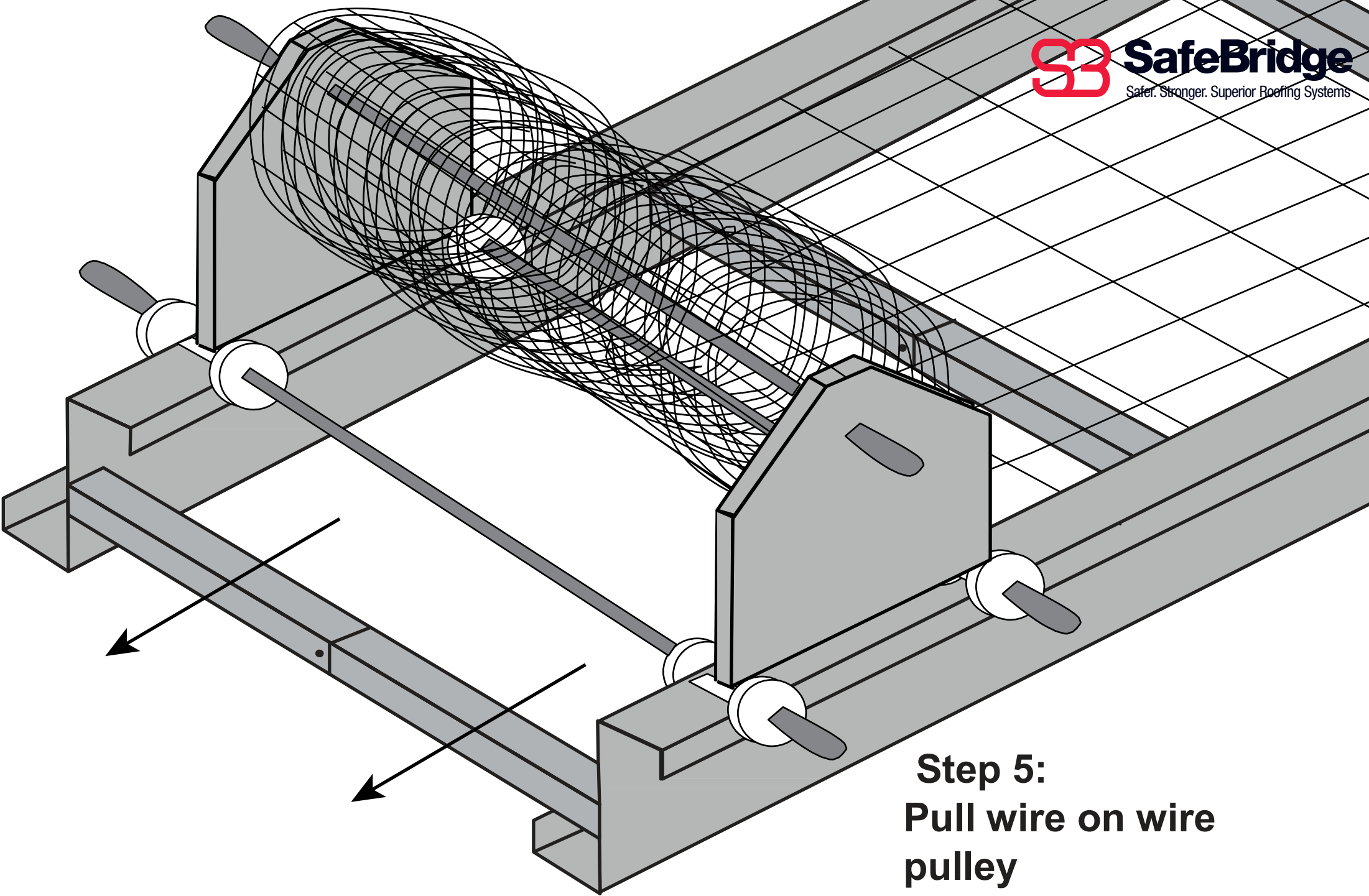
SB Purlin

SB Bridging

SB Stabilizer typical set out



**Step 4:
Attach wire to
bridging**



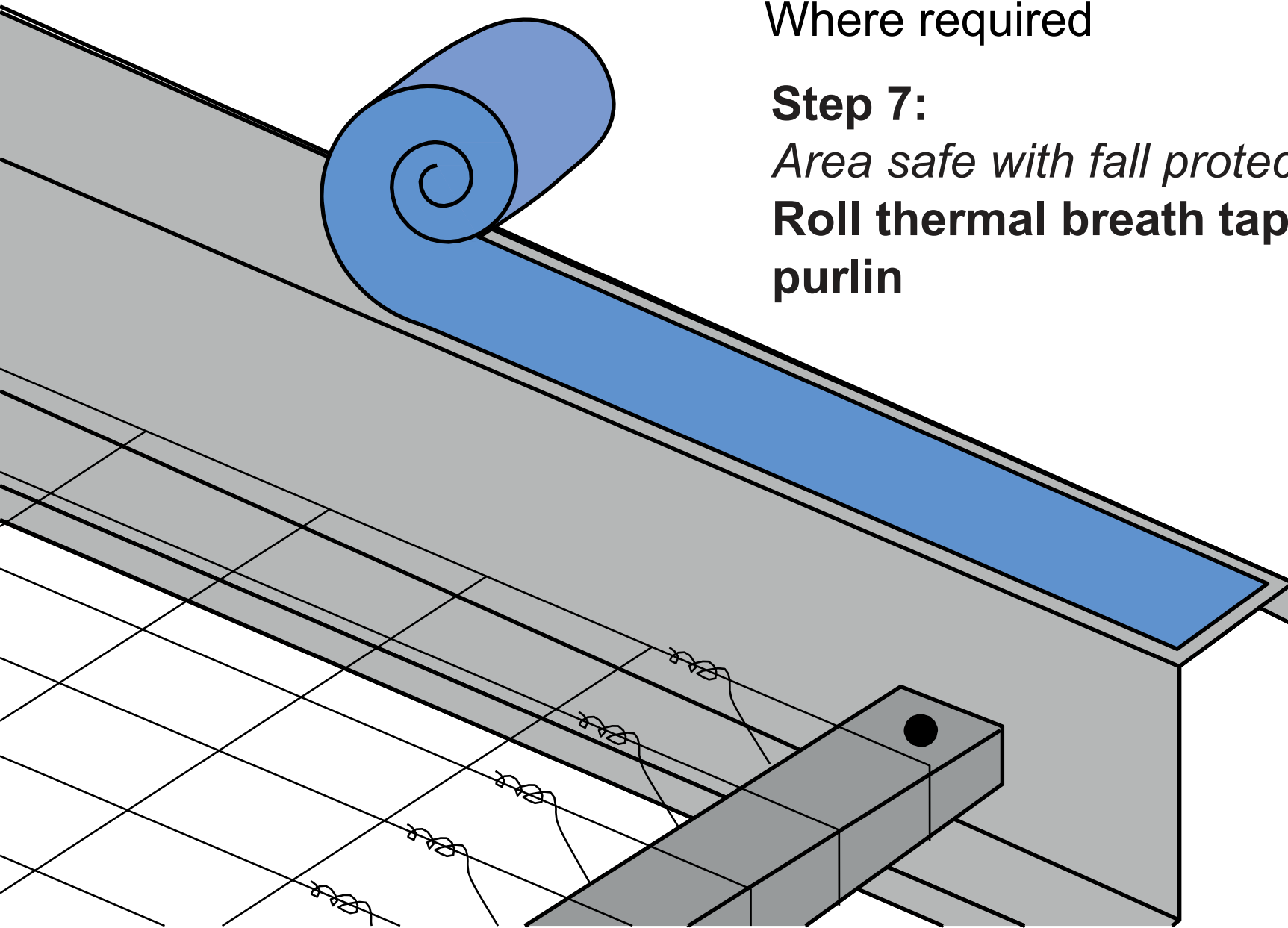
Step 5:
Pull wire on wire
pulley

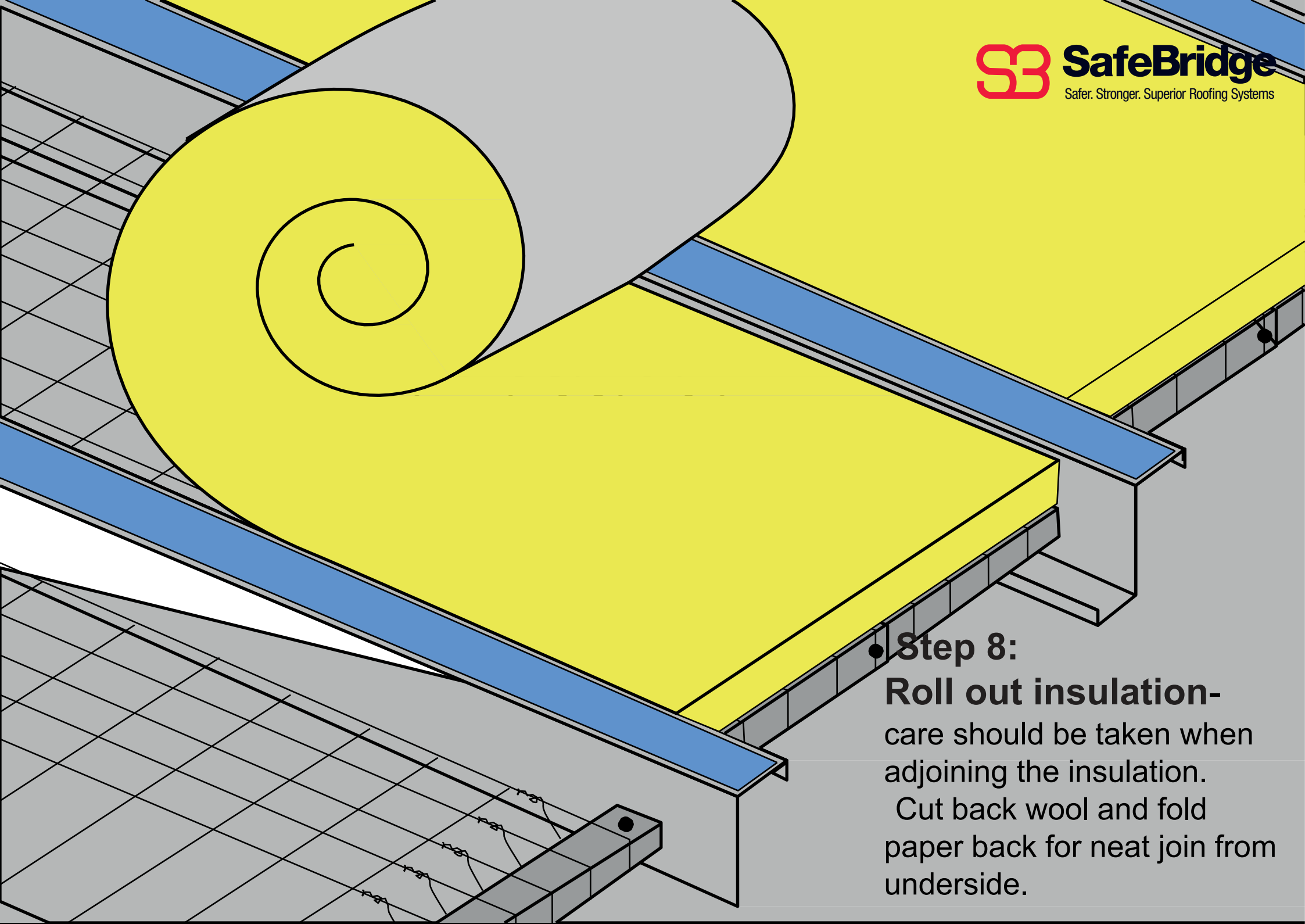
Where required

Step 7:

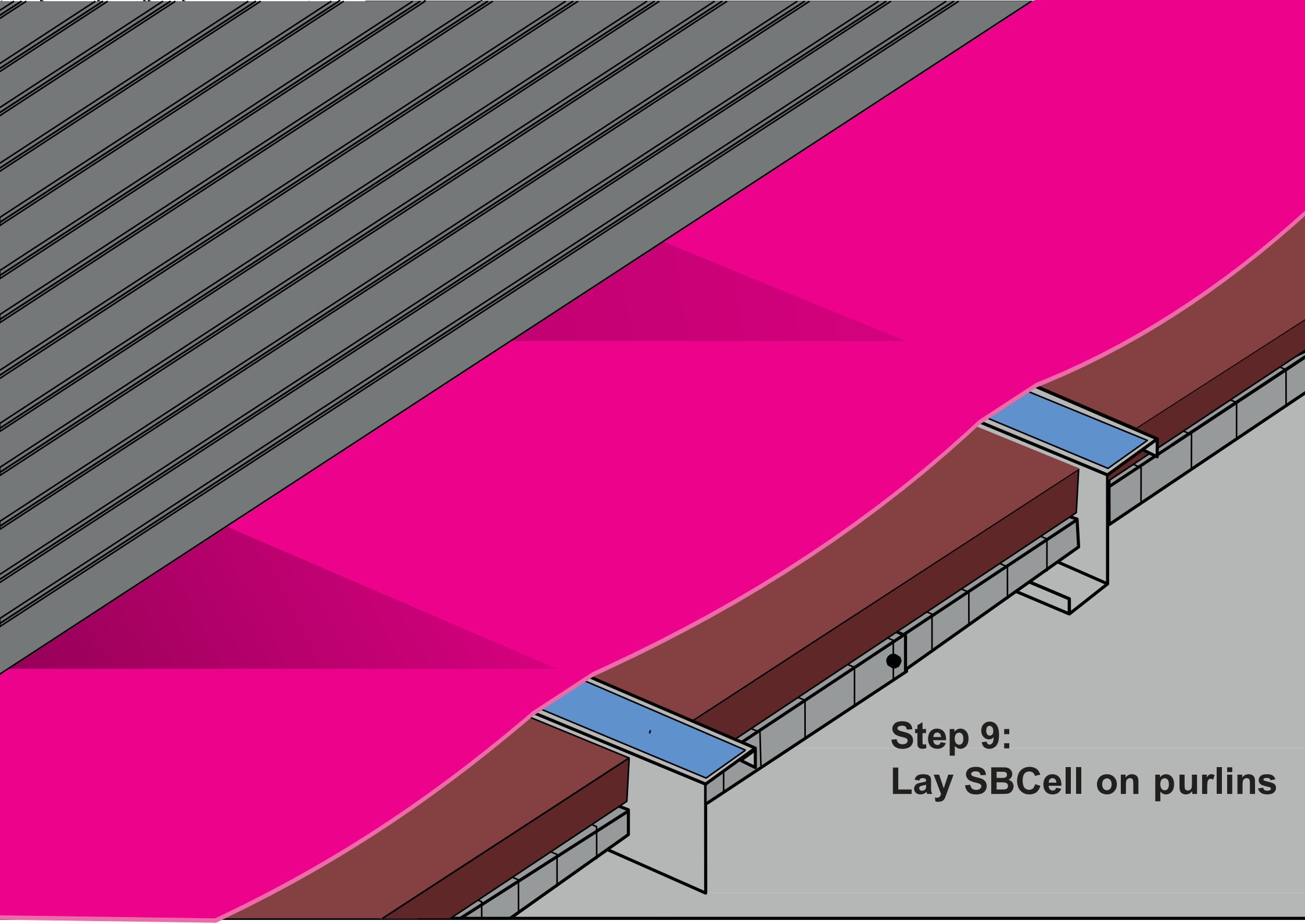
Area safe with fall protection installed

Roll thermal breath tape along the purlin

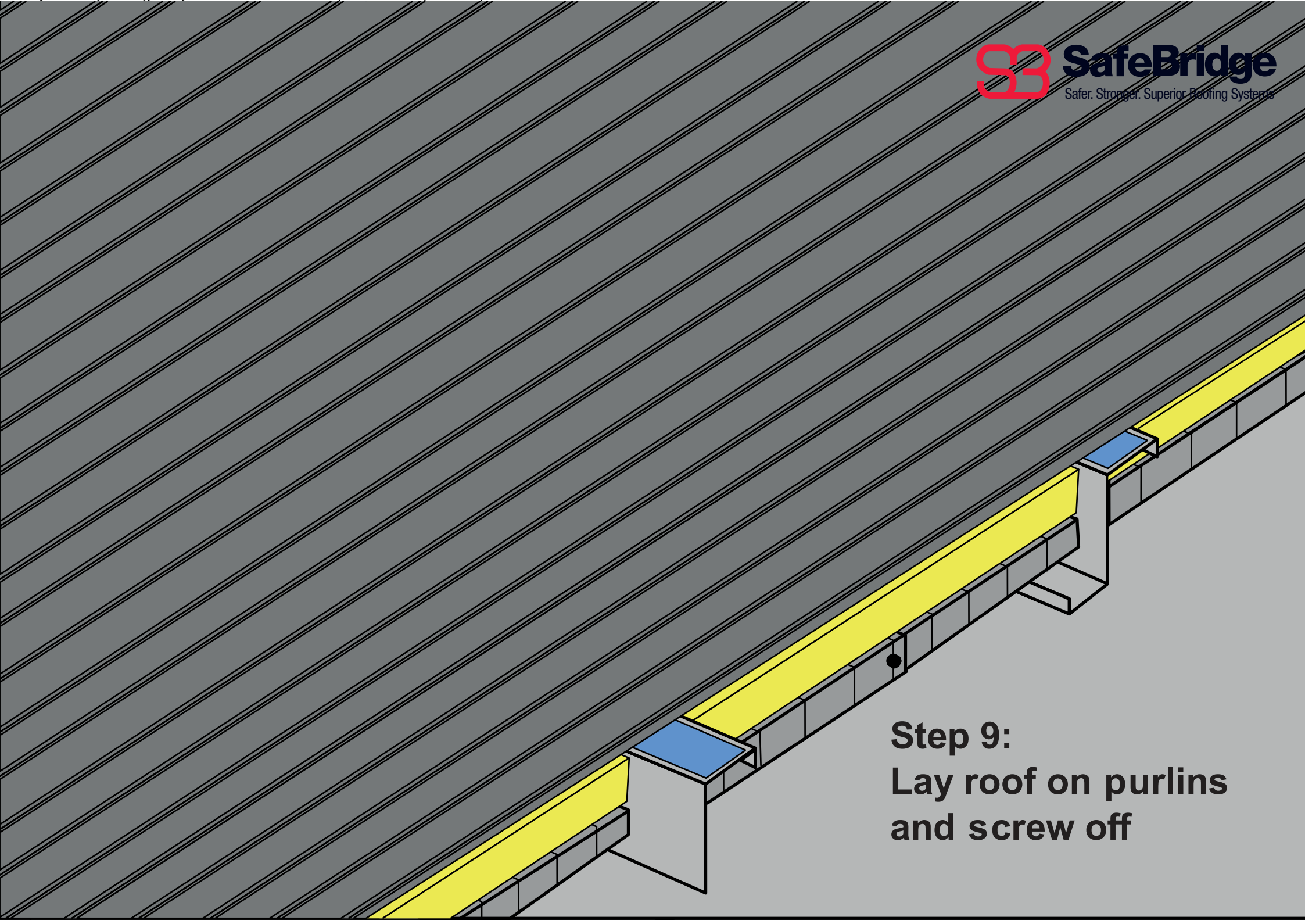




- **Step 8:**
Roll out insulation-
care should be taken when adjoining the insulation. Cut back wool and fold paper back for neat join from underside.



Step 9:
Lay SBCell on purlins



Step 9:
Lay roof on purlins
and screw off