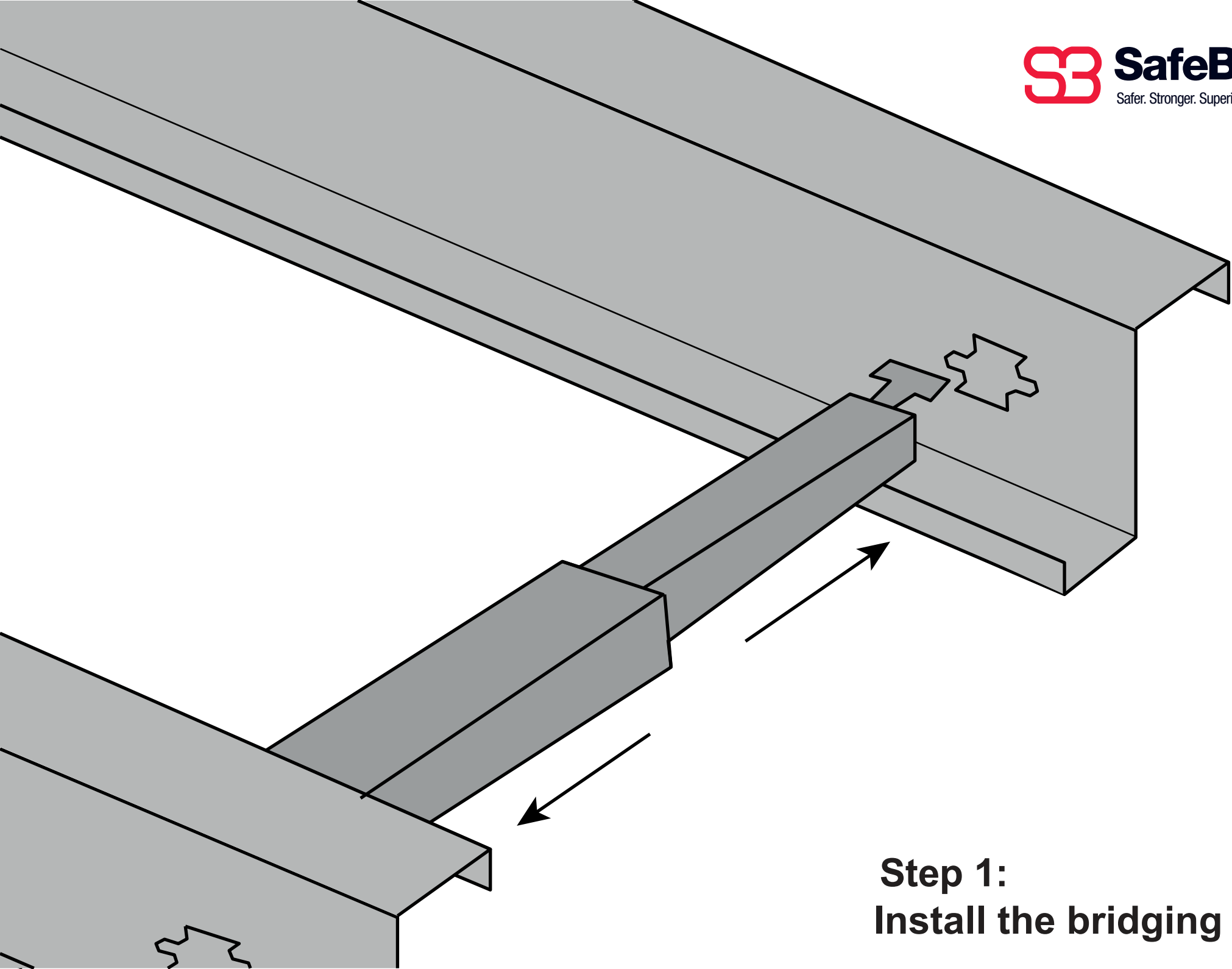


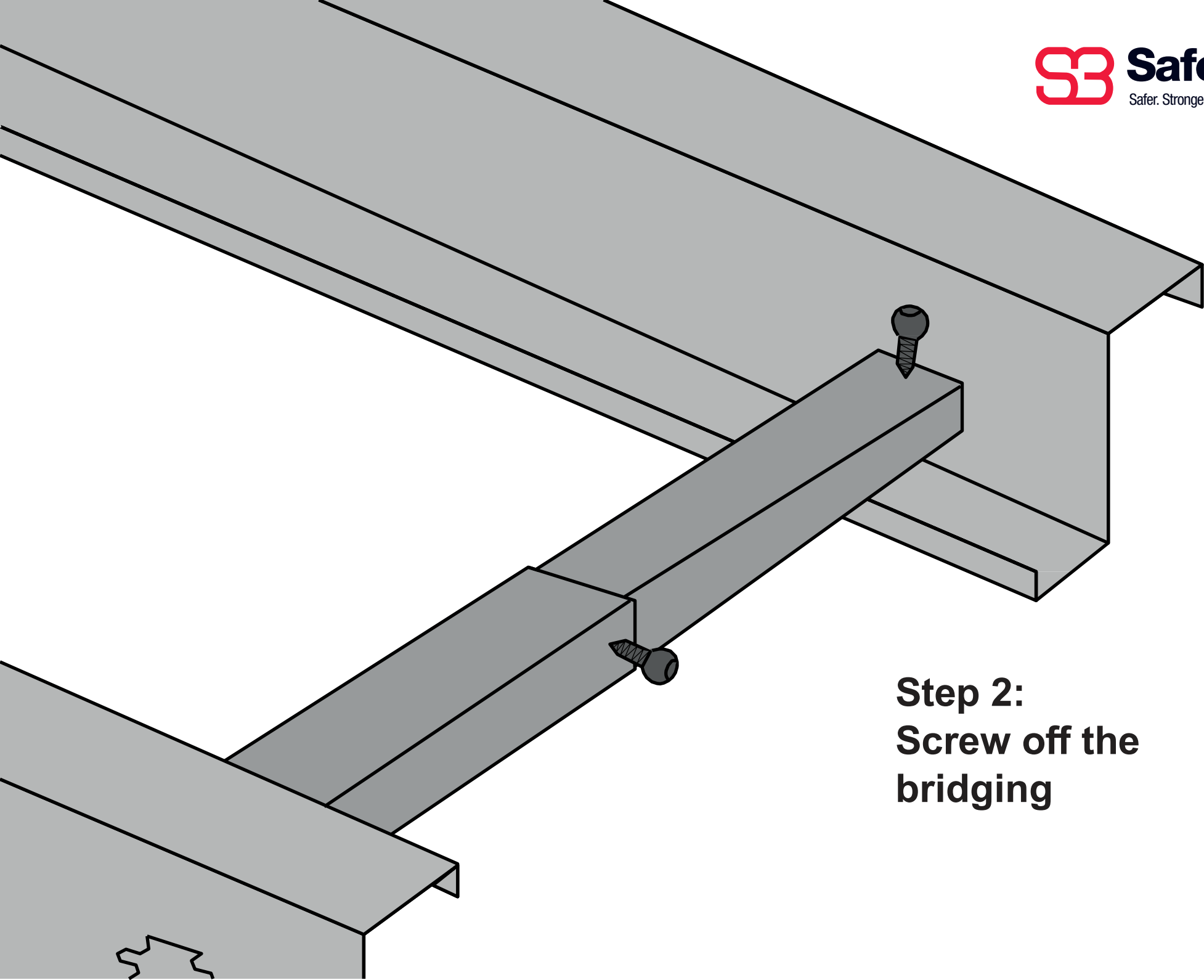
SafeBridge is a system based on Metroll Purlins
For correct pricing please contact

projects@safebridge.com.au

Purlin may have double keyway for Purlin rotation during installation, confirm keyway before starting

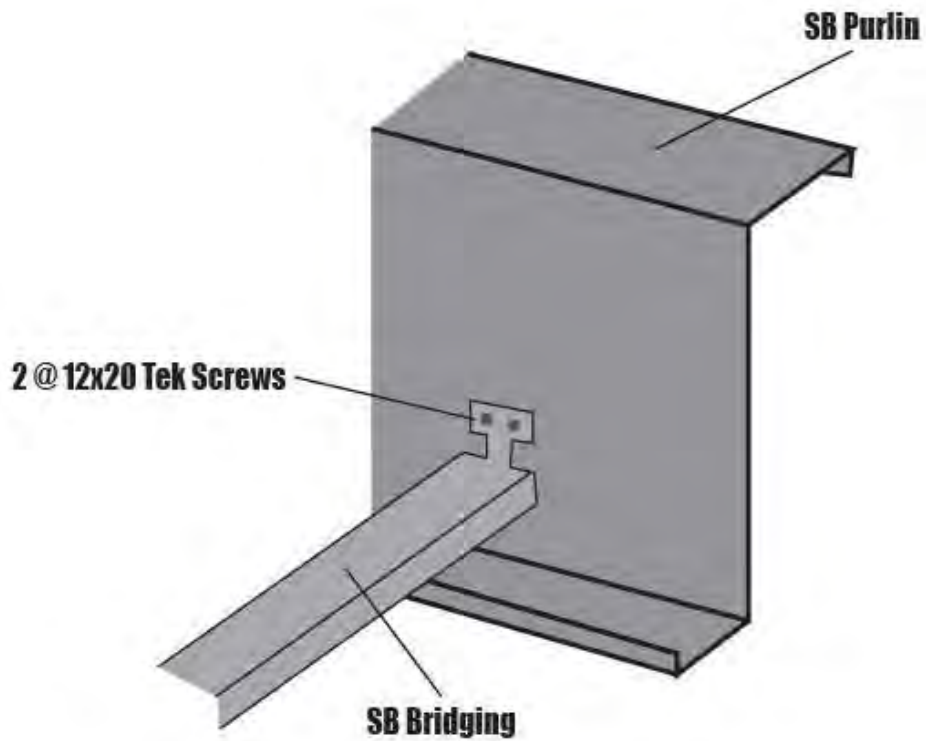


Step 1:
Install the bridging

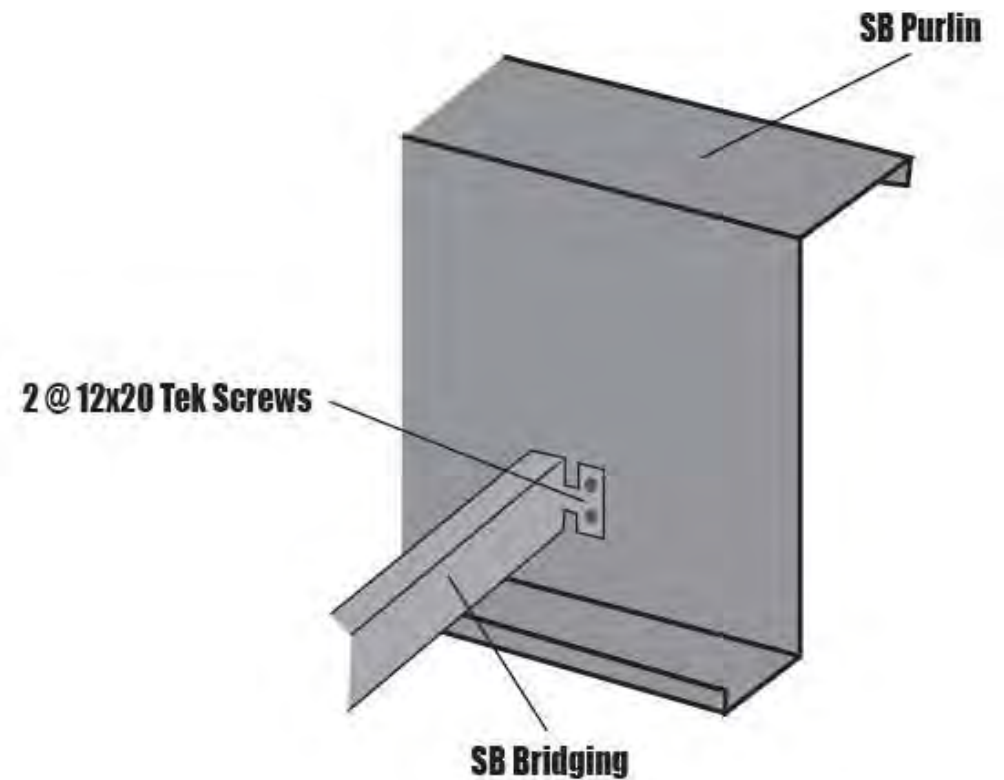


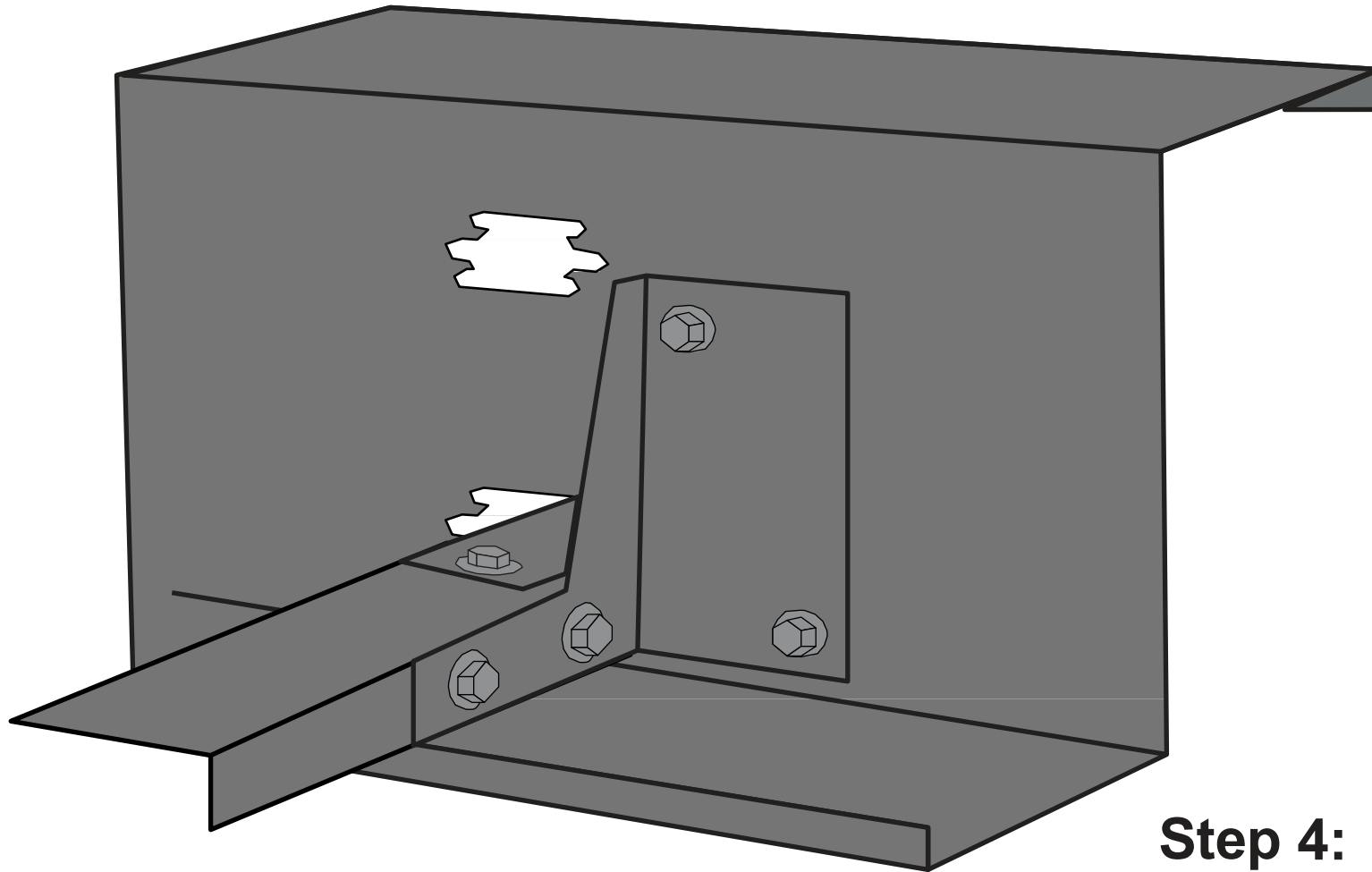
**Step 2:
Screw off the
bridging**

**Direct Purlin
Fixing Option
(A)**

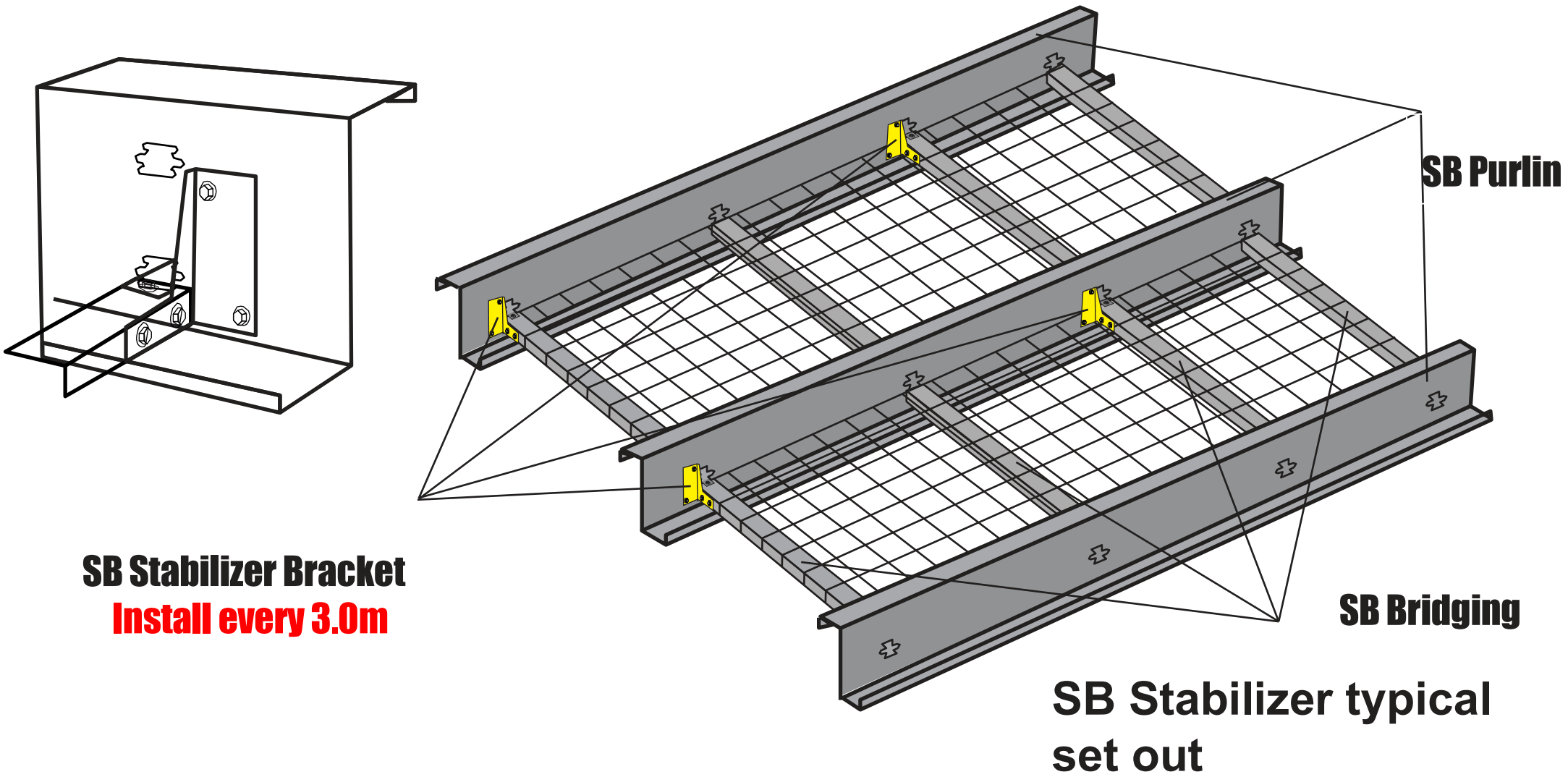


**Direct Purlin
Fixing Option
(B)**





Step 4:
Install Stabilizer
Bracket every 3.0m



SB Stabilizer Bracket
Install every 3.0m

SB Stabilizer typical set out